



**FLEXSTONE**  
LUXURIOUS BATH SURROUNDS

# Corner Shelf Install Instructions

\*Read all instructions before starting\*

For missing items do not return to store.

Please call 877-941-3662

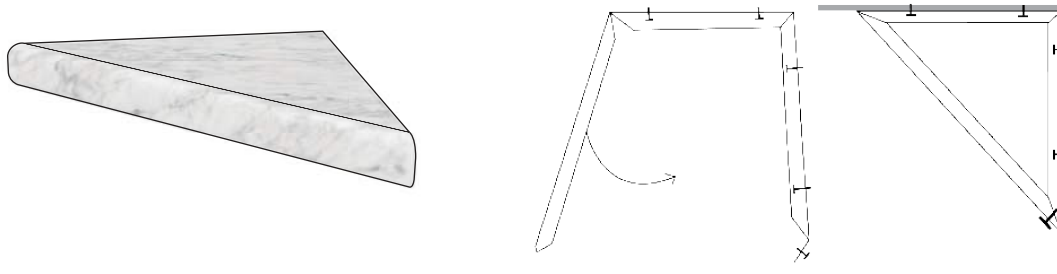
(Monday – Friday 8:00 a.m. – 5:00 p.m MT)

**RECOMMENDED:** Visit <http://FlexstoneProducts.com/installation> to access a walk-through video and other useful installation information.

# Corner Shelf Instructions

## Corner Shelf with Bracket

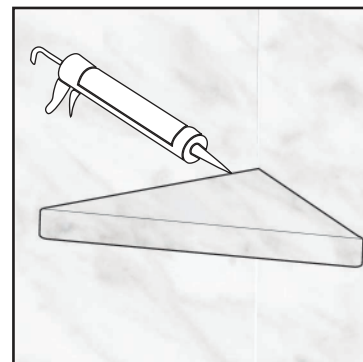
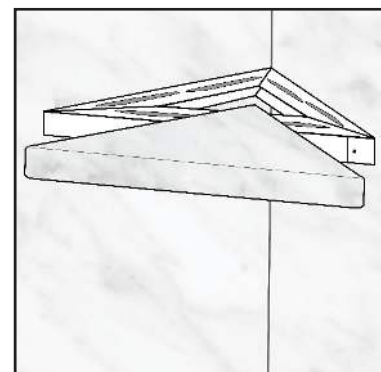
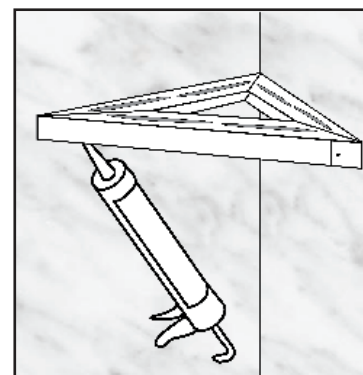
FLXCSB15



### Installation of Corner Shelf

NOTE: Corner shelf includes a folding-triangle metal bracket with screw holes which is designed to mount directly to the FlexStone wall panels. Be sure to peel away protective masking from the wall panels before securing the bracket.

1. Position corner shelf bracket in desired corner at desired height. Use a level to mark level lines in pencil. Adjust the alignment to include a slight forward slope for water runoff.
2. Using drywall screws or other coarse-thread screws, fasten each side of the bracket using pre-drilled holes through the FlexStone panels and the sheetrock.
3. Fold bracket and complete triangle by bending the tab over to secure bracket. Dry fit the corner shelf material over the bracket. If corner is out of square, trim one side of shelf to achieve a tight fit.
4. Peel back protective masking from edges of shelf, apply adhesive to top and bottom of bracket and place FlexStone material over bracket like a clamshell.
5. Apply 100% silicone sealant to all joints where corner shelf meets the wall panels. Follow any directions on the silicone tube.



FLEXSTONE WALL  
PANELS ARE  
1/4 IN. THICK.

V.2 06/2021