



FLEXSTONE[™]
LUXURIOUS BATH SURROUNDS

FlexStyle Shower Kit

Install Instructions

For missing items do not return to store.

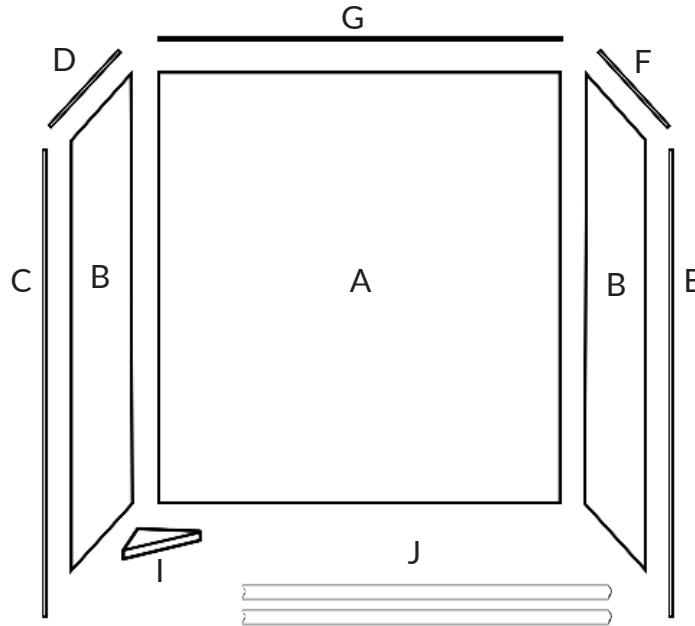
Please call 877-941-3662

(Monday – Friday 8:00 a.m. – 5:00 p.m MT)

3-wall FlexStyle Surround Instructions

FlexStyle Series

Tub/Shower 3-wall Model: FST6036803
(for tubs OR showers)



Item	Description	Qty
A	Back wall panel	1
B	Side wall panel	2
C	Left wall front trim	1
D	Left wall top trim	1
E	Right wall front trim	1
F	Right wall top trim	1
G	Back wall top trim	1
I	Corner shelf with bracket	1
J	Corner flashing tape	2

Please inspect packages for damage or missing pieces, and read instructions carefully prior to installation. All FlexStone products come with a protective masking covering the front side of the material. If you have any questions or issues, please call our customer support Monday - Friday 8:00 a.m. - 5:00 p.m. MT at 877-941-3662



FLEXSTONE
LUXURIOUS BATH SURROUNDS

Visit <http://FlexstoneProducts.com/installation> to access a walk-through video and other useful installation information.

Required Tools



Tape Measure



Caulk Gun



Jigsaw



Level



Pencil

Helpful Tools



Drill



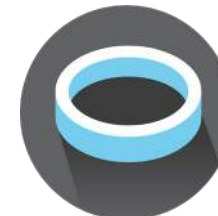
Compass



Clean Cloth



Hole Saw



Painter's Tape

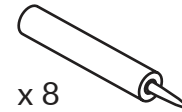


Denatured Alcohol

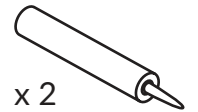
Installation Kit

Your shower surround kit includes eight cartridges of adhesive and two cartridges of 100% silicone. Refer to section 6 of these instructions for adhesive usage guidelines.

NOTE: It is highly recommended to use the provided silicone. If not, a "neutral cure" silicone must be used for proper bonding.



x 8
Construction
Adhesive



x 2
100% Silicone

Before Starting



Consult your local building codes with questions on installation compliance standards. Building and plumbing codes may vary by location, and FlexStone Bath Systems is not responsible for code compliance standards for your project.

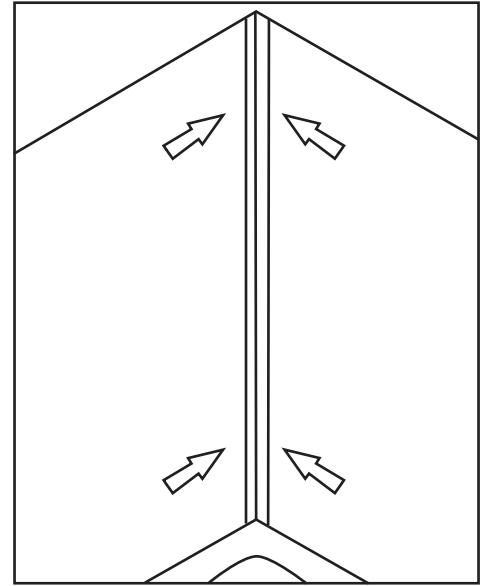
1. The FlexStyle wall system is designed to be installed over a solid substrate such as green board, cement board, or other water resistant backers. Substrate should be clean, dry, and free of dust or loose paint.
2. If installing a new bathtub or shower base prior to FlexStyle installation, follow the manufacturer's instructions, and install the tub or base level and square to walls.
3. Turn off the water supply and complete any plumbing modifications prior to installing your FlexStyle surround. Leave plumbing handles off until surround is installed. Plan the placement of the shower head such that it is either above the height of the wall panels or at least 1" below the top of the wall panels. This will keep the trim moldings from interfering with the pipe and escutcheon plate.

Install Instructions

1. Installation of Inside Corner Flashing Tape

A. Flashing Tape Corner Reinforcements go behind the panels in the back vertical corners for added leak protection. This tape has been cut to length, matching the height of the panels of your kit.

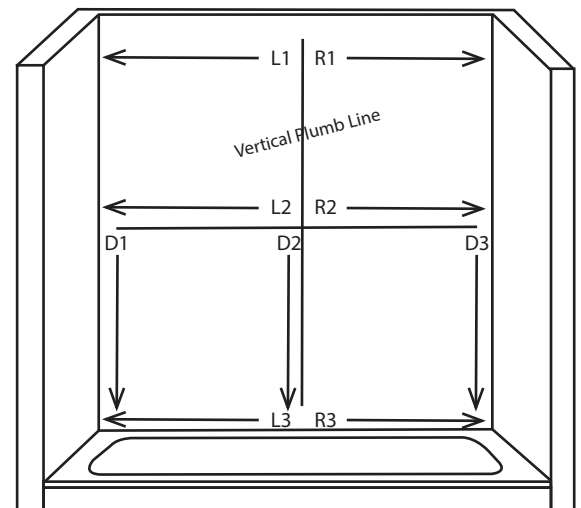
B. Apply a bead of adhesive onto both walls about 3/4 inch away from the corner. Fold the flashing tape at the center crease with the print side together, then press the tape into the corner using a taping or putty type blade. Using the same blade, flatten out the tape to create a flat, smooth inside corner. Wipe away any excess adhesive.



2. Installation of Back Wall Panels (A)

A. The back panel must be fit to both the left and right corners, and to the tub or shower base. Keep in mind that walls may not be square or plumb, so you will want to measure width of the alcove at both the bottom and top of the alcove prior to trimming panel. (See TIP on right for a technique for achieving good fit measurements.)

B. Draw a vertical plumb line directly on the middle of the sheetrock from top to bottom of wall. Now draw a horizontal level line crossing the plumb line about halfway up the wall. Record measurements left from the vertical line to corner at top, middle and bottom (L1, L2, L3), then right from the vertical line to corner (R1, R2, R3.) Now record measurements down from the horizontal line to the tub (D1, D2, D3.) Transfer these measurements to your back wall panel (A). These 9 measurements will account for out of plumb walls AND out of level tubs!

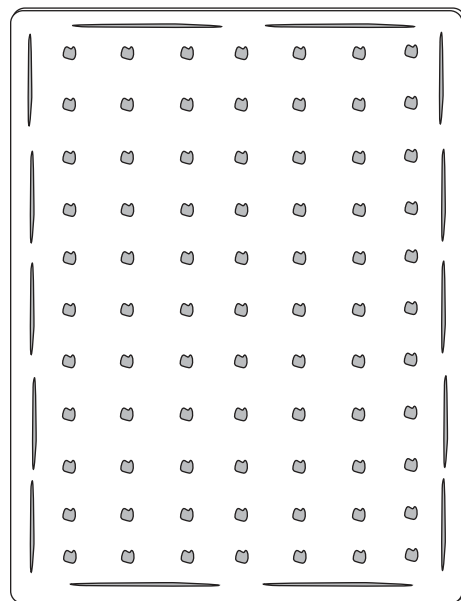
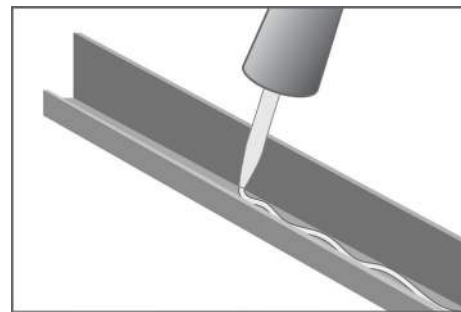


NOTE: If cutting from the front, ensure the masking is still in place to protect the surface of the panel from the jig saw or circular saw. If the masking has already been removed, use masking tape to cover the surface while cutting. If cutting from the back, make sure your left and right back wall measurements are correctly correlated with the left and right side of the panel. If using a circular saw, make sure the cutting depth is set to 1/4", barely deep enough to cut through the thickness of the material. If the cutting depth is too deep, it will cause chipping along the edge of the panel.

C. Trim the panel to size with a jigsaw, circular saw, angle grinder (with a diamond blade), or power plane and dry fit until a tight fit is achieved.

D. Measure the width on the top of the back panel and cut the back J-trim trim piece to match. Peel back the protective masking (approx. 4") from the top of the panel. Apply a small bead of silicone inside the J-trim and slide the trim in place.

E. When satisfied with the fit, peel protective masking back from the edges of the panel (approx. 4") and clean burrs from any rough edges. Apply adhesive in lines or dollops to the back wall in a pattern every 4 to 6 inches. Use approximately one 10oz tube per 12 square feet following the adhesive directions on the tube. Push the panel in place, lightly pounding to achieve good bond.



Adhesive Usage Guidelines:



- 3 tubes for back panel
- 1-2 tubes for each side panel
- 1-2 tubes for corner reinforcements, and corner shelf.

3. Installation of Wet/Plumbing Wall Panel (B)

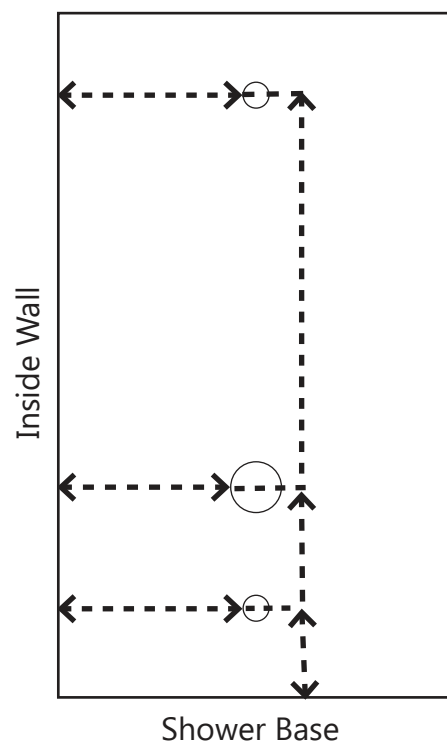
A. Hold plumbing wall panel as close to back wall as possible. Scribe and trim the inside edge and bottom edge against the tub or shower base for best fit before measuring, marking, and cutting holes for plumbing fixtures. Use the Shower Base Threshold Template on the back page of these instructions to scribe and cut the bottom of the panel around a FlexStone shower base threshold.

NOTE: You will be able to fine tune your panel to a more accurate fit after the holes are cut and your panel can be firmly pushed into the corner.

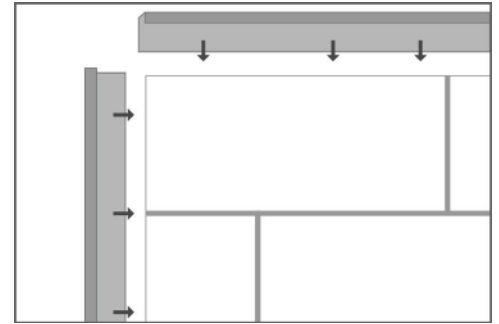
B. For each hole to be cut, measure the vertical distance between the center of the plumbing fixture and the shower base. Measure the horizontal distance between the center of the fixture and the installed back wall panel. Mark the center of the fixtures on the face of the panel. Mirror the measurements on the panel and cut from the back side.

C. Using a drill, make a small pilot hole in marked locations. Using a jigsaw or hole saw, cut out each hole in the panel to the appropriate size for the particular pipe or fixture. Make each hole only as large as necessary for access to the plumbing. Cover plates only cover so much!

D. With holes drilled so the panel now fits over the plumbing, you can fine tune the fit of the panel into the back corner and against the tub or shower base. You can also now trim the width of the panel to align with the front edge of the tub or shower base.



E. Once the panel cuts are finalized, measure and cut the trim pieces for the top and outside edge. If doing a miter joint, it is recommended to use a miter saw, however, it is possible to use a circular saw or angle grinder. Once the joint cuts are satisfactory, straight cuts can be made on the other end of the trims to align with the length of the panel. Apply a small amount of silicone inside the trims and slide the trims into place on the panel.

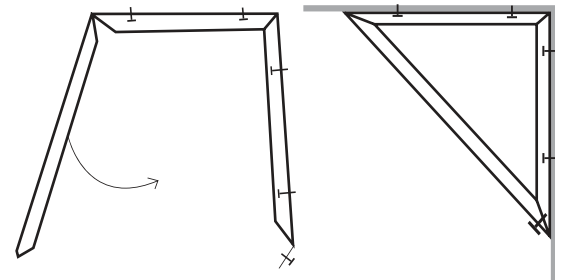


F. Prior to adhering the plumbing wall panel, seal the back panel A to the corner reinforcement using a small bead of Performance Pro 100% Silicone.

G. Follow Step 2.E and adhere the plumbing wall panel, but also form a bead of adhesive on the back around each plumbing hole.

4. Installation of Opposite Side Wall Panel (B)

A. Use same procedures as in steps 3.A-G except that no holes will be drilled in this panel. Dry fit first, and then apply silicone to seal the corner, and adhesive as you did on the plumbing wall panel.



5. Installation of Corner Shelf (I)

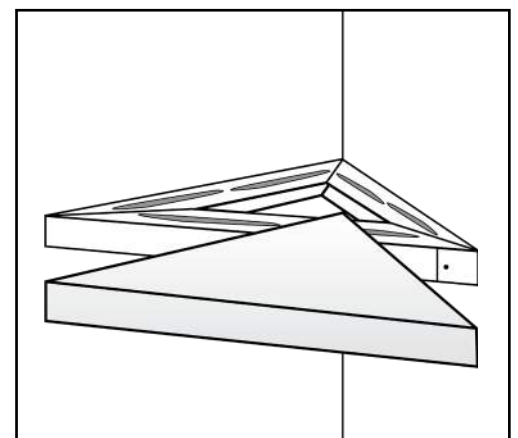
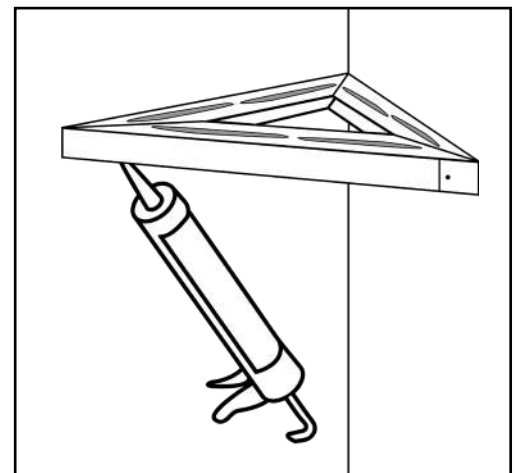
NOTE: Corner shelf includes a folding-triangle metal bracket with screw holes which is designed to mount directly to the FlexStyle wall panels. Be sure to peel away protective masking from the installation area before securing the bracket.

A. Position corner shelf bracket in desired corner at desired height. Use a level to mark level lines in pencil. Adjust the alignment to include a slight forward slope for water runoff.

B. Using the provided screws or other coarse-thread screws, fasten each side of the bracket through the FlexStyle panels and the sheetrock. Drilling a pilot hole before installing the screws can be helpful

C. Fold bracket and complete triangle by bending the tab over to secure bracket. Dry fit the corner shelf material over the bracket. If corner is out of square, trim one side of shelf to achieve a tight fit.

D. Peel back protective masking from edges of shelf, apply adhesive to top and bottom of bracket and place FlexStyle material over bracket like a clamshell. Clamp until dry (24 hours).



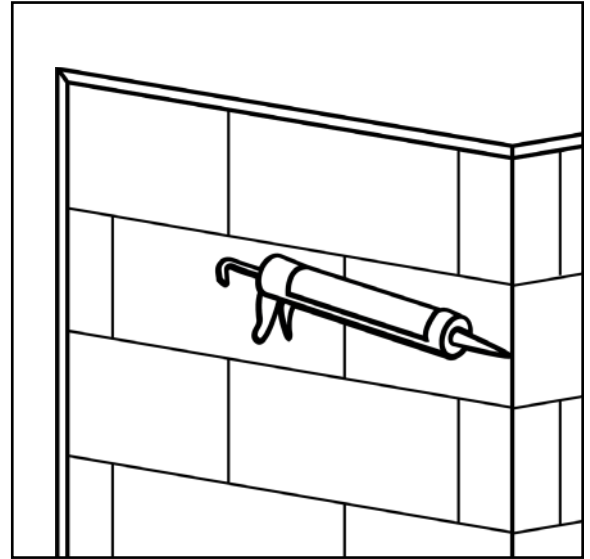
PLEASE WAIT 48 HOURS BEFORE INSTALLING FINISH PLUMBING OR USING YOUR NEW TUB/SHOWER SURROUND. REMOVE REMAINING PROTECTIVE MASKING PRIOR TO USE.

6. Sealing with Silicone

A. If you desire to paint the walls now or in the future, use paintable latex caulk where trim moldings meet sheetrock. Use a wet finger or caulk tool to shape the latex caulk to a nice finish.

B. Using denatured alcohol, clean and prime all joints in the surround, including vertical and horizontal joints where panel meets tub or panel meets panel. Clean any oils, greases, or adhesive residues from these joints.

C. Seal your surround with the provided 100% silicone by applying a fine bead of silicone to all joints. Use a wet finger or caulk tool to shape the silicone to a nice finish. Follow any directions on the sealant tube.



SHOWER BASE THRESHOLD TEMPLATE

Use this template to scribe the bottom of the FlexStone side wall panels before cutting to achieve a tight fit around the threshold of the shower base.

1. Cut paper template along the dotted line.
2. Place paper template on the bottom of the side wall panel where you plan to cut the panel for the threshold.
3. Using a marker, mark the panel according to the template.
4. Cut the panel along the marked line.



FLEXSTYLE
WALL
PANELS ARE
 $\frac{3}{16}$ IN. THICK.

Wall Panel



IMPORTANT: Shower base dimensions may vary slightly from base to base. Make sure the paper template matches the contour of your shower base threshold before cutting the wall panel. Fine tuning of the cut may be necessary for a proper fit.