



FLEXSTONE
LUXURIOUS BATH SURROUNDS

Shower Base Install Instructions

For missing items or returns do not return to store.

Please call 877-941-3662

(Monday – Friday 8:00 a.m. – 5:00 p.m MT)

Kit Contents:

FlexStone Shower Base

Packaged Date: Packaged By: And:

Shower Base Instructions

Please inspect packages for damage or missing pieces, and read instructions carefully prior to installation. If you have any questions or issues, please call our customer support Monday – Friday 8:00 a.m. – 5:00 p.m. MT at 877-941-3662.



FLEXSTONE
LUXURIOUS BATH SURROUNDS

RECOMMENDED:

Visit <http://FlexstoneProducts.com/installation> to access a walk-through video and other useful installation information.

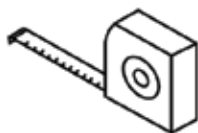
Required Tools



Caulk Gun



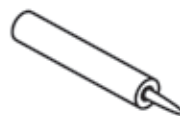
Drill



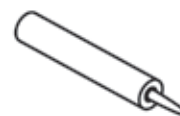
Tape Measure



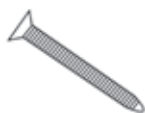
Level



Construction Adhesive



100 % Silicone



1 1/2" Stainless Steel Screws



2" Compression-fitted "Receptor Base" Shower Drain

Before Starting



Consult your local building codes with questions on installation compliance standards. Building and plumbing codes may vary by location, and FlexStone Bath Systems is not responsible for code compliance standards for your project.

1. Be sure to read these installation instructions carefully before starting to install the FlexStone Shower Base.
2. Before installing your FlexStone Shower Base, check all boxes and packaging for shipping damage. If unit has been damaged during shipping or has a defect, please contact FlexStone Customer Support immediately at 1-877-941-3662.
3. Be sure that the installation surface is flat, level and solid and will be able to support the total weight of the shower base. Also, make sure that all framing around the base is square. Please note that irregular installation surface level or improper angle of side walls could result in serious problems for your installation.
4. This shower base does not include a drain assembly. The drain opening is 3 1/4" in diameter and accepts a standard 2" compression fitted "receptor base" drain.

Examples of Compatible Shower Drains:

Brand	Model #	Description
Sioux Chief	827-2B	Cast Brass Body Drain
Sioux Chief	828-2	PVC Drain
Oatey	42044	ABS 2-part Solvent Weld Shower Drain w/ Stainless Steel Strainer
Oatey	42045	PVC 2-part Solvent Weld Shower Drain w/ Stainless Steel Strainer
AB&A	ABA34490SNAP	Receptor Base - Rib Grip CP ABS
AB&A	ABA34490SNAP	Receptor Base - Rib Grip Snap CP ABS
AB&A	ABA34500	Receptor Base - Rib Grip CP PVC
AB&A	ABA34500SNAP	Receptor Base - Rip Grip Snap CP PVC

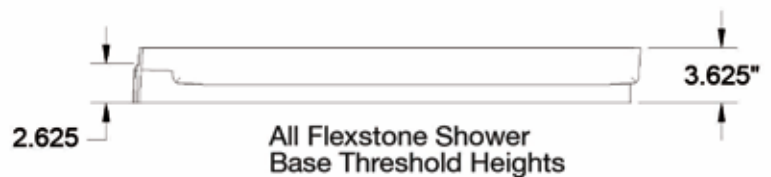
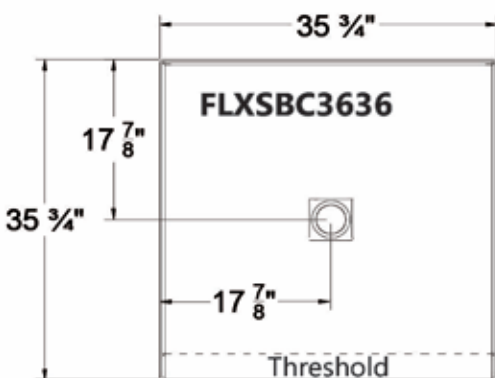
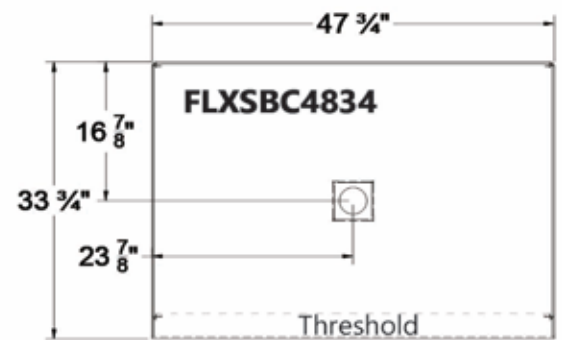
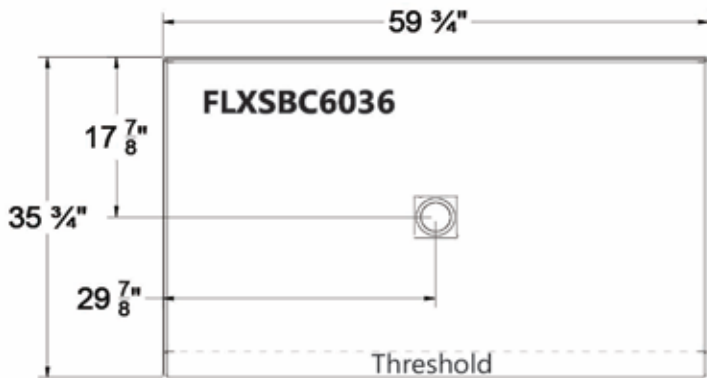
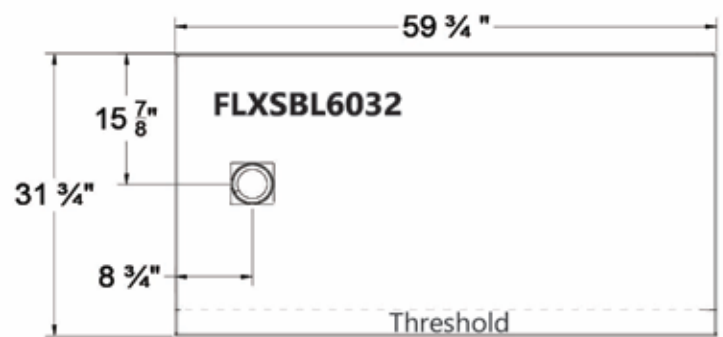
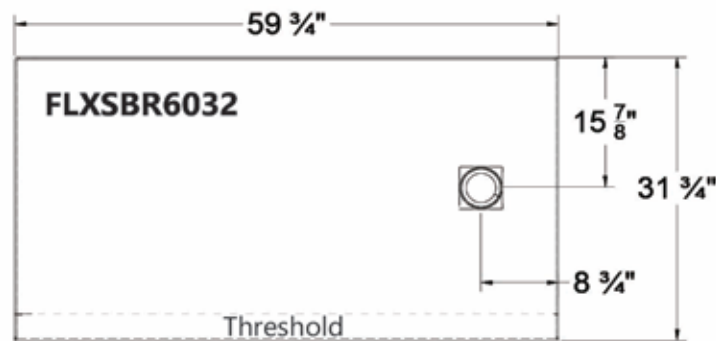
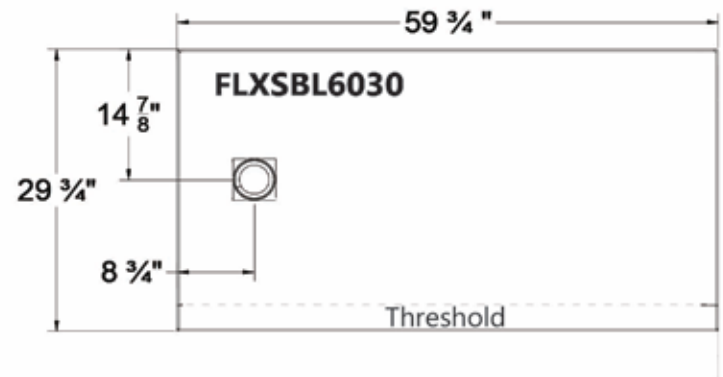
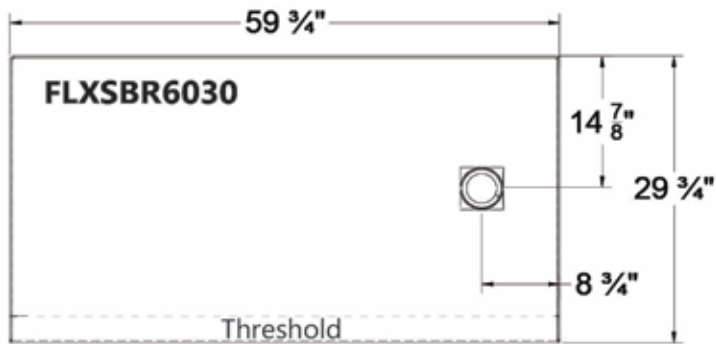
FlexStone Shower Base Dimensions

Model	Specification	Width	Depth	Drain Width	Drain Depth
FLXSBR6030 FLXSBL6030	60" x 30"	60"	30"	8 ¾"	14 ⅞"
FLXSBR6032 FLXSBL6032	60" x 32"	60"	32"	8 ¾"	15 ⅞"
FLXSBC6036	60" x 36"	60"	36"	29 ⅞"	17 ⅞"
FLXSBC4834	48" x 34"	48"	34"	23 ⅞"	16 ⅞"
FLXSBC3636	36" x 36"	36"	36"	17 ⅞"	17 ⅞"

IMPORTANT NOTE: Dimensions are provided for reference only. Measure the actual shower base before installation. This includes overall dimensions and drain location. Allowed tolerance for center of the drain is +/- 1/2"

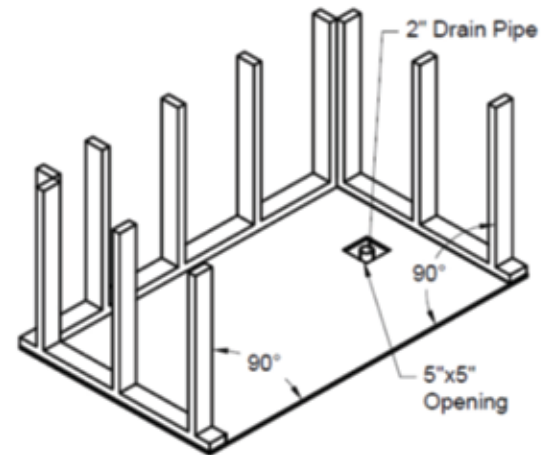
See next page for illustrations.

FlexStone Shower Base Dimensions

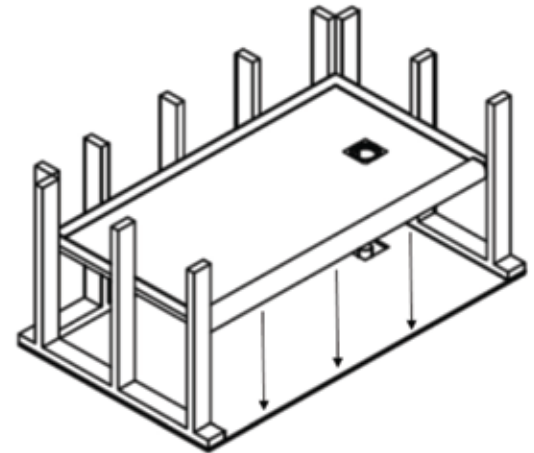


Install Instructions

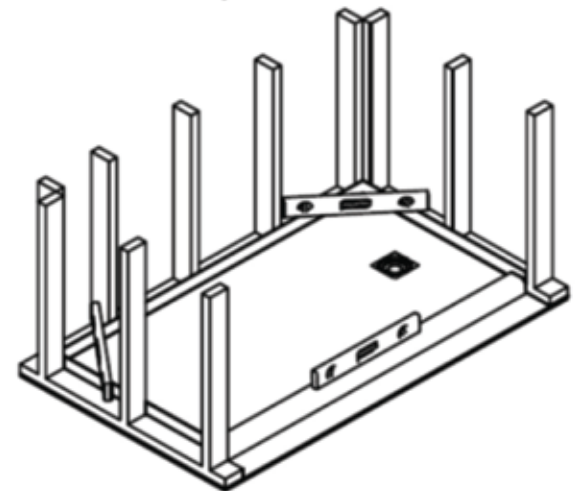
1. Before beginning the installation of the shower base, make sure that the sub-floor and stud walls are square and plumb. Cut a 5"x5" opening in the sub-floor to allow room for the drain. Follow the assembly instructions provided with your shower drain and ensure that the 2" drain waste pipe extends above the surface of the sub-floor and the height of the shower base. The product drawings on the previous page show the location of the drain for the shower base.



2. Check to make sure the shower base fits properly over the drain location by temporarily placing the shower base into position so that the drain hole aligns with the drain pipe and the shower base fits tight against the studs of each wall.



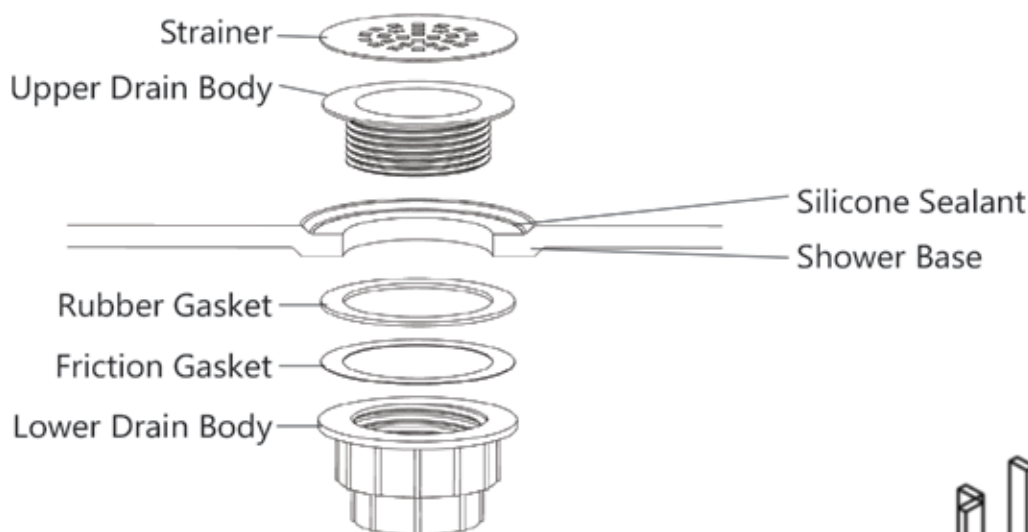
3. Ensure that the sub-floor is clear of debris and completely flat and level. The entire bottom of the base must be in contact with a flat, level surface. The shower base will not drain properly if the subfloor surface is not level. Place a level on the threshold and nailing flanges of the shower base to ensure the base is level before gluing the base to the sub-floor. Use a pencil to mark each stud at the top of the nailing flange. Do not use shims to level the shower base. If the sub-floor is not level, use a self-leveling concrete and wait for it to completely dry before installing the shower base.



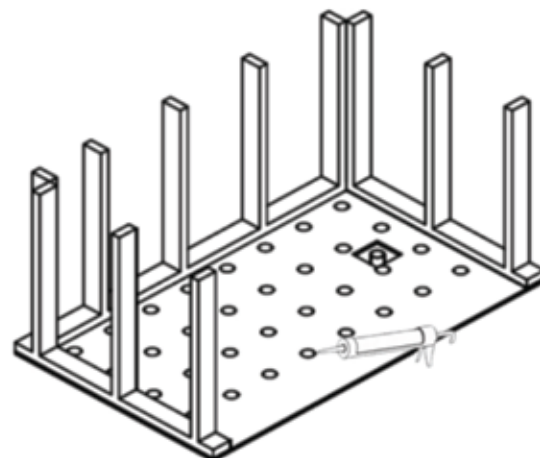
4. Following the shower drain manufacturer's installation instructions, install the shower drain (NOT INCLUDED) by first cutting the drain pipe to the appropriate height for the shower drain. Next, remove the strainer from the drain. Apply silicone around the edge of the drain hole in the shower base between the upper portion of the drain body and the shower base. Insert the upper portion of the drain body in the drain hole of the shower base. Install the included gaskets under the shower base between the shower base and the lower drain body. Twist the lower drain body, while securing the upper drain body, until tight.

Install Instructions

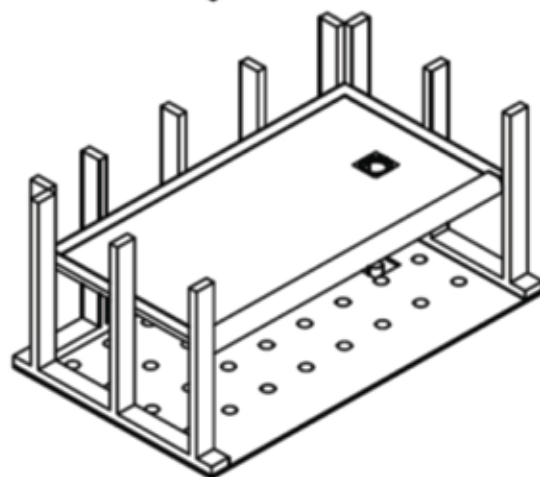
DRAIN ASSEMBLY



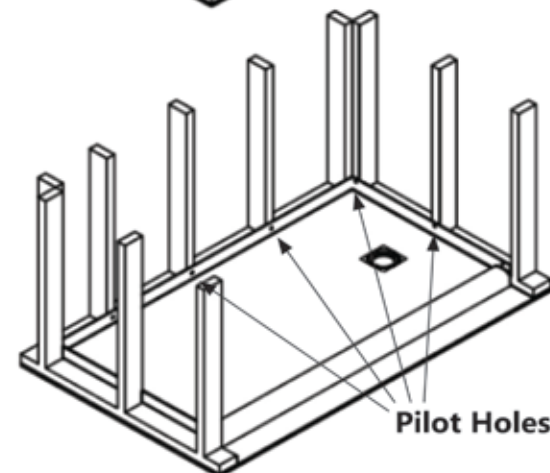
5. Apply adhesive to the floor beneath the shower base. Apply enough adhesive to support the entire bottom of the shower base. This will add additional stability and prevent the base from shifting position.



6. **We strongly recommend using a licensed plumber to connect the drain assembly to the drain pipe.** If your selected drain is a glue-in style, apply the appropriate glue to the drain pipe and the inside surface of the lower drain body. Be sure to use the correct glue based on your drain pipe and drain assembly type (i.e. ABS or PVC). After the adhesive has been applied, place the shower base on the floor with the drain assembly sliding over the drain pipe. Push the shower base down until the top of the nailing flange aligns with the pencil marks drawn on the studs. Place a level on the threshold in all directions to ensure the base is completely level. Wipe away any excess adhesive.

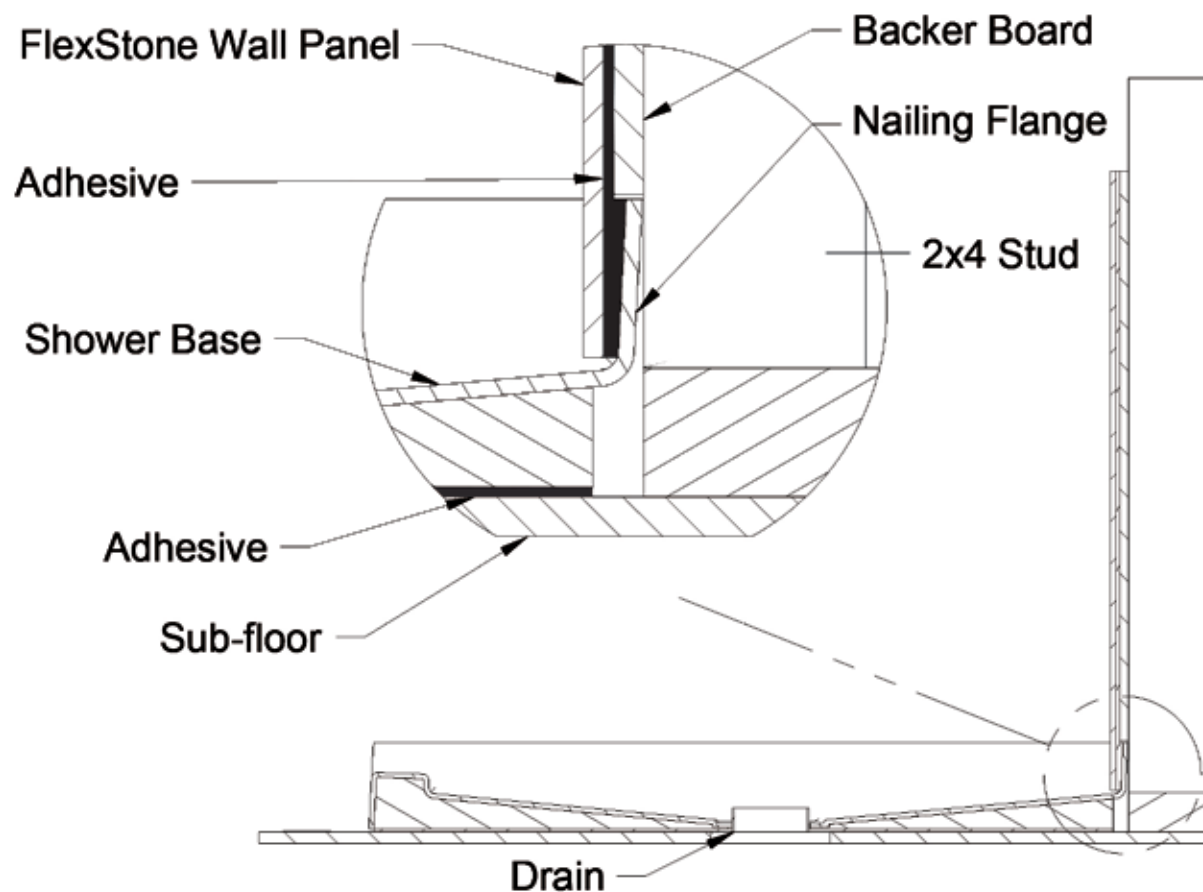


7. Drill $\frac{3}{16}$ " pilot holes near the top of the nailing flange at all stud locations. After drilling the pilot holes, apply a small amount of silicone to the pilot holes and use $1\frac{1}{2}$ " stainless steel screws to secure the shower base to the studs. Be careful not to overtighten the screws, as this can crack the nailing flange. If a gap exists between the shower base and a wall stud, use wooden shims to fill the gap before installing the screws. Trim all shims at the same height as the nailing flange.



Install Instructions

Helpful Hint: Use a sheet of cardboard on top of the shower base floor to protect the base during the installation of the backer board and FlexStone wall panels.



Cleaning and Maintenance

Care and maintenance of your FlexStone shower base is easy using common household cleaners. Clean with a soft sponge or cloth, and a mild, non-abrasive cleaner. Often, warm soapy water and a sponge will be adequate for regular maintenance. Avoid using abrasive or gritty cleaners, which may damage the surface of the shower base. Use of these agents will also void the warranty.



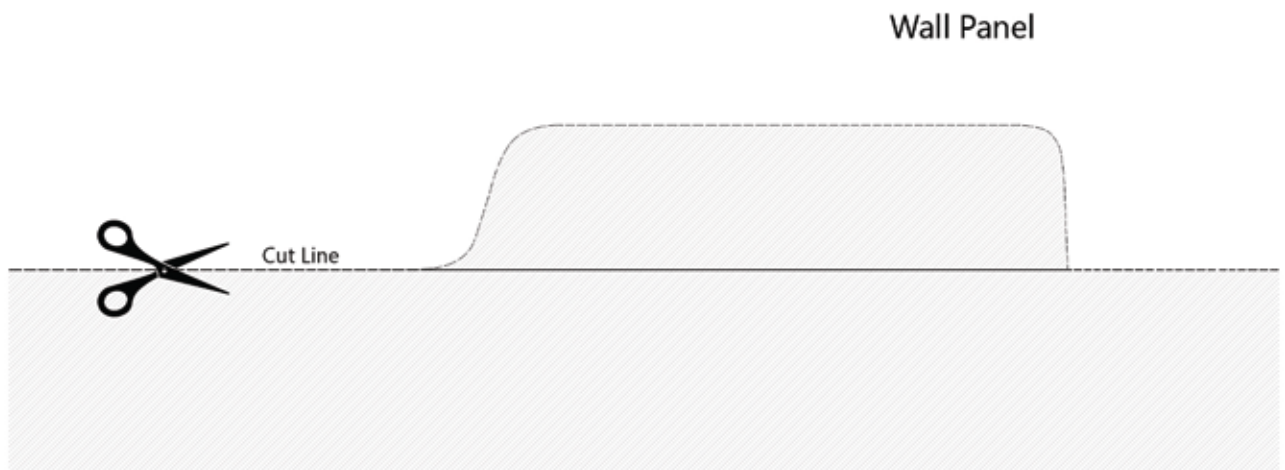
PLEASE WAIT 24 HOURS BEFORE INSTALLING FINISH PLUMBING OR USING YOUR NEW TUB/SHOWER SURROUND. REMOVE REMAINING PROTECTIVE MASKING PRIOR TO USE.

Install Instructions

SHOWER BASE THRESHOLD TEMPLATE

Use this template to scribe the bottom of the FlexStone side wall panels before cutting to achieve a tight fit around the threshold of the shower base.

1. Cut paper template along the dotted line.
2. Place paper template on the bottom of the side wall panel where you plan to cut the panel for the threshold.
3. Using a marker, mark the panel according to the template.
4. Cut the panel along the marked line.



IMPORTANT: Shower base dimensions may vary slightly from base to base. Make sure the paper template matches the contour of your shower base threshold before cutting the wall panel. Fine tuning of the cut may be necessary for a proper fit.